

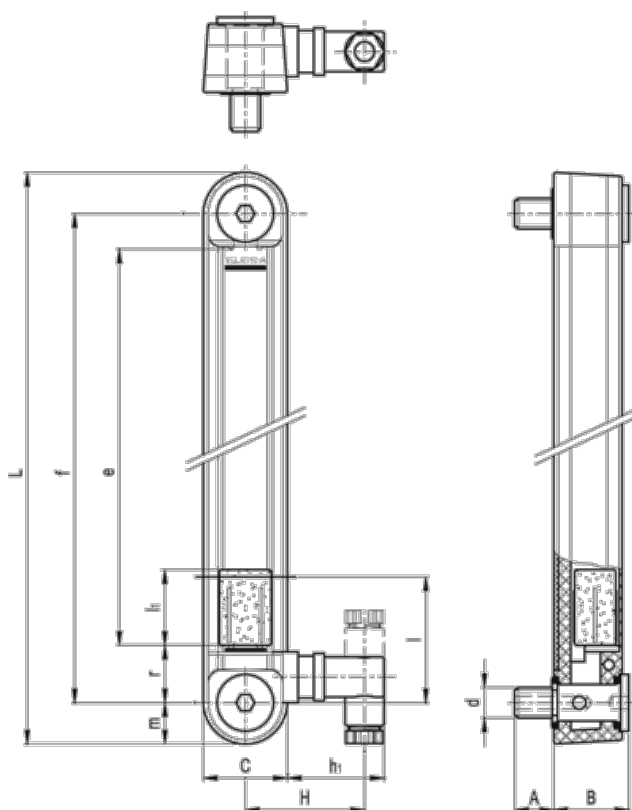
Data Sheet



Article number: 231111102

Description: E+G Column level indicator
HCY.76-E-N.C.-M10

Measures



A = 15	I = 40
B = 29	L = 108
C = 32	l1 = 17
d = M10	m = 16
e = 41	r = 20
f = 76	Weight (g) = 150
H = 46	
h1 = 37	